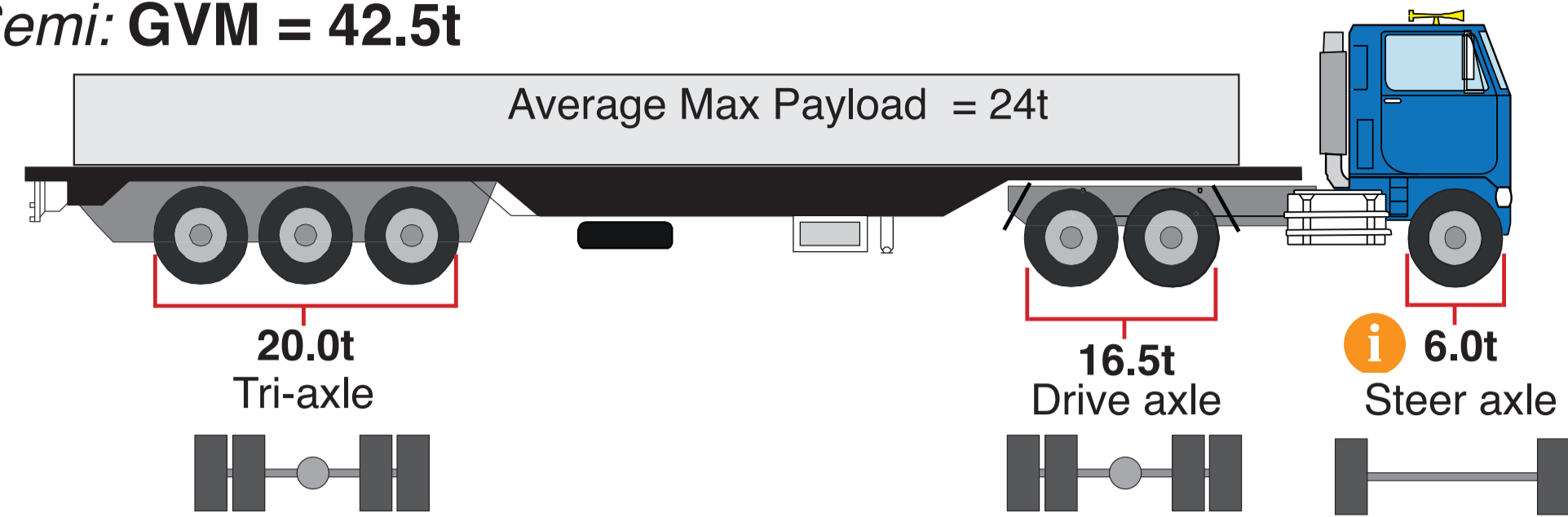


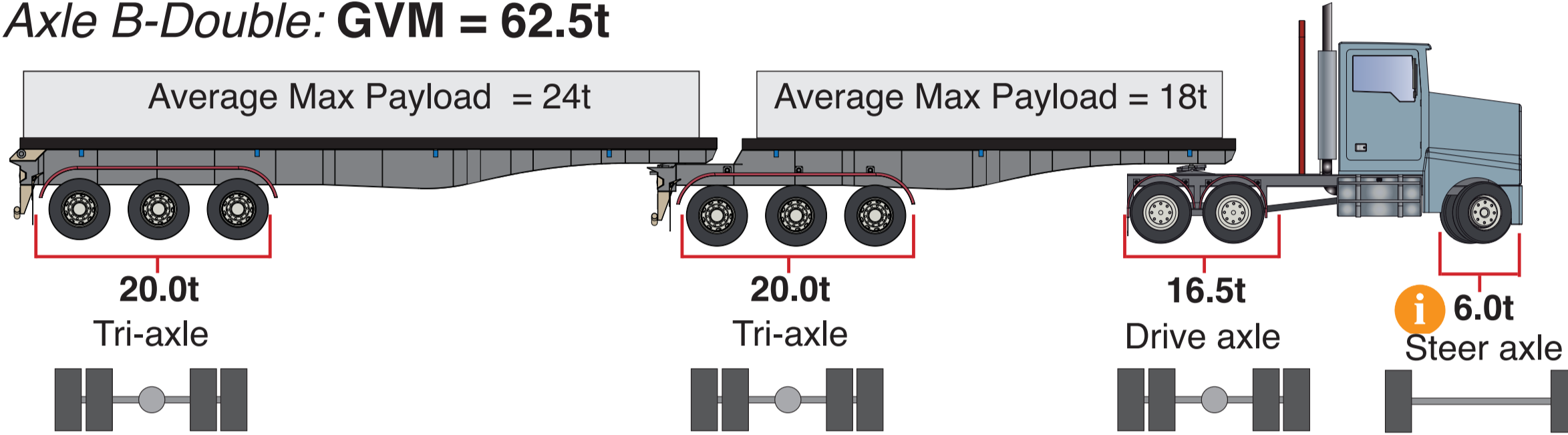
Mass Requirements:

Semi's & B-Doubles:

6 Axle Semi: **GVM = 42.5t**

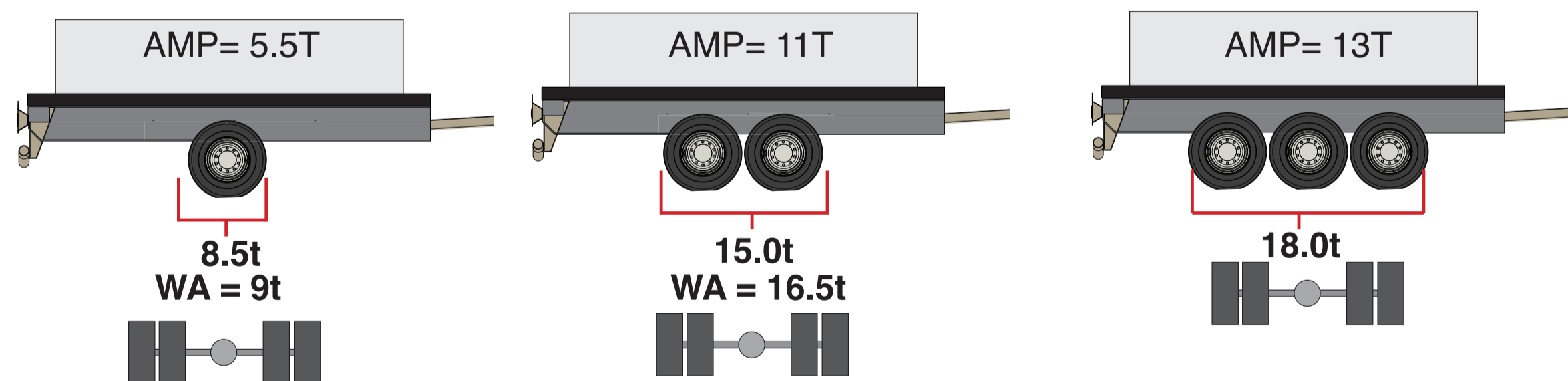
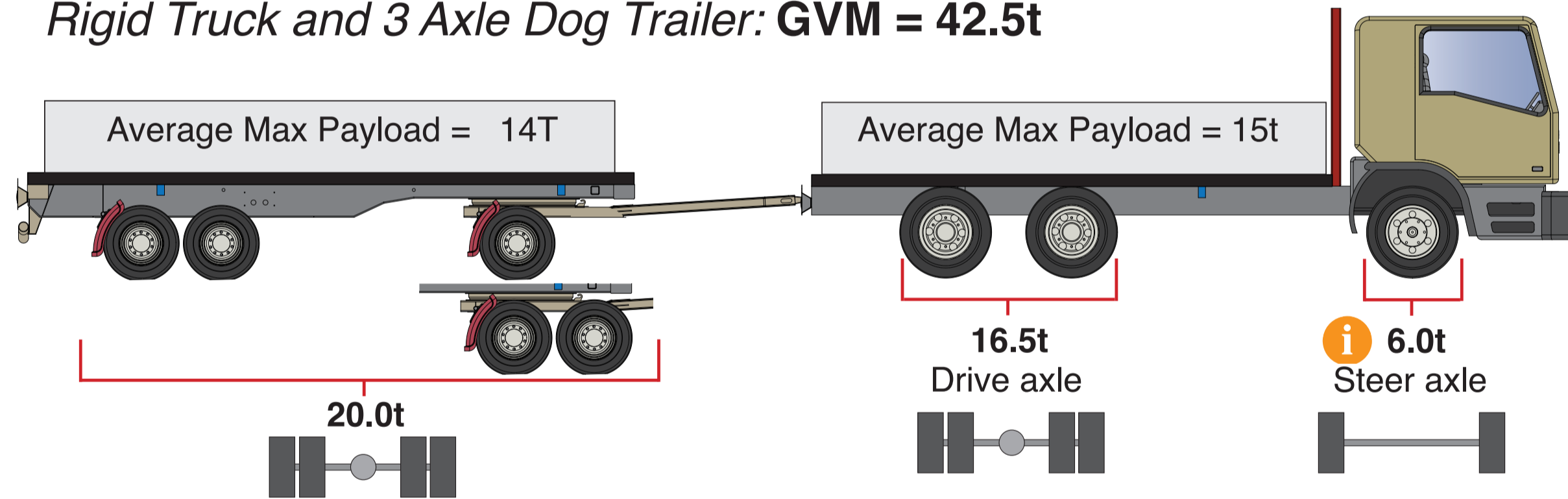


9 Axle B-Double: **GVM = 62.5t**



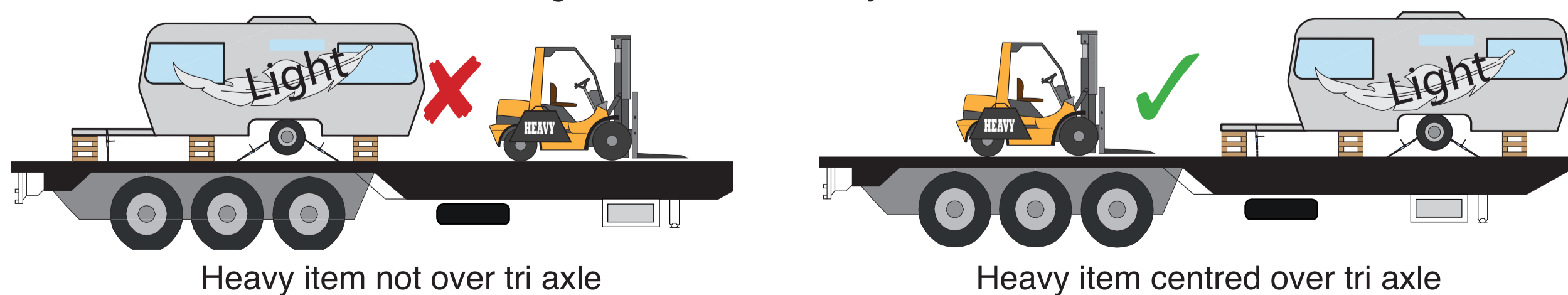
- ✓ Ensure even weight distribution where possible
- ✓ Centre heaviest item over Tri-axes where possible

Rigid Truck and 3 Axle Dog Trailer: **GVM = 42.5t**



i Pig Trailers with single tires of at least 375mm section width or dual tires on all axles are rated to 18.0t

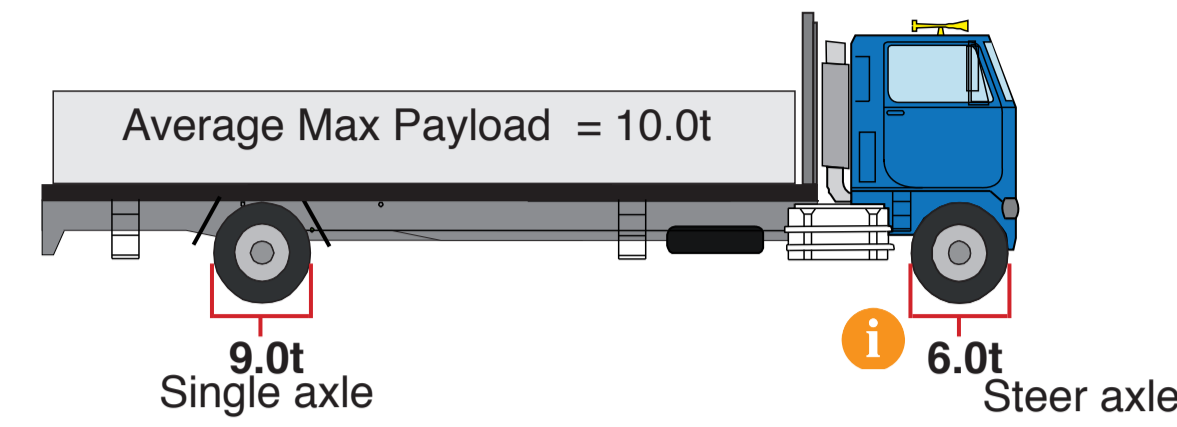
⚠ Large Items are not always the heaviest



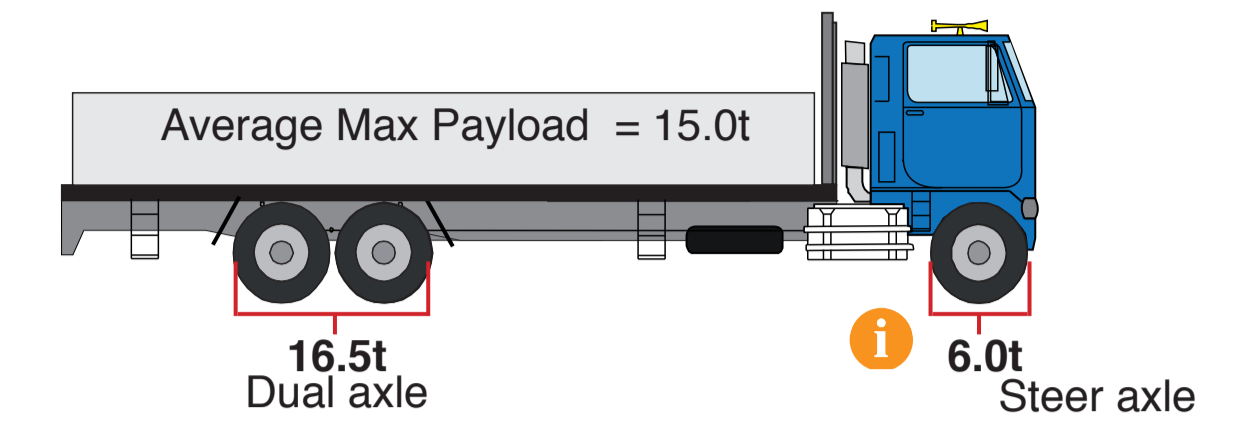
Heavy Vehicles

Rigids:

Single Axle: **GVM = 15.0t**



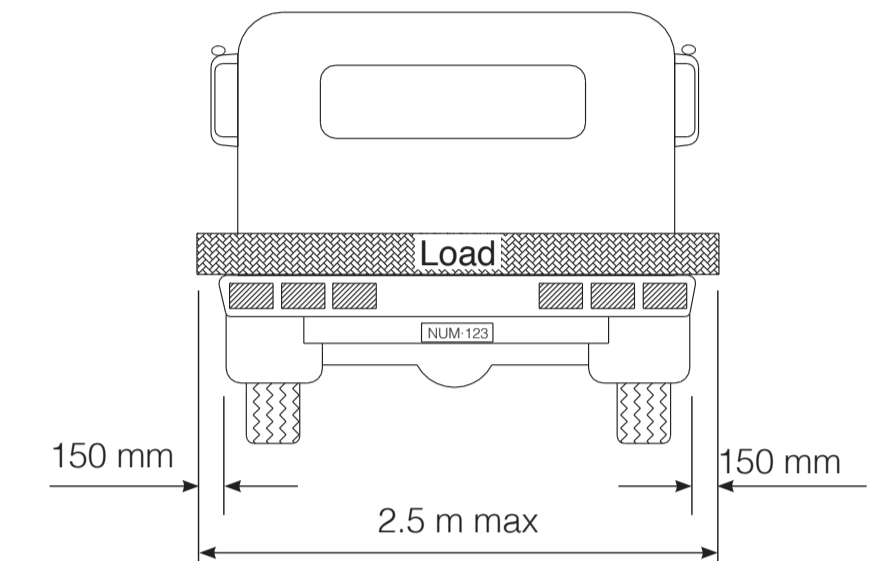
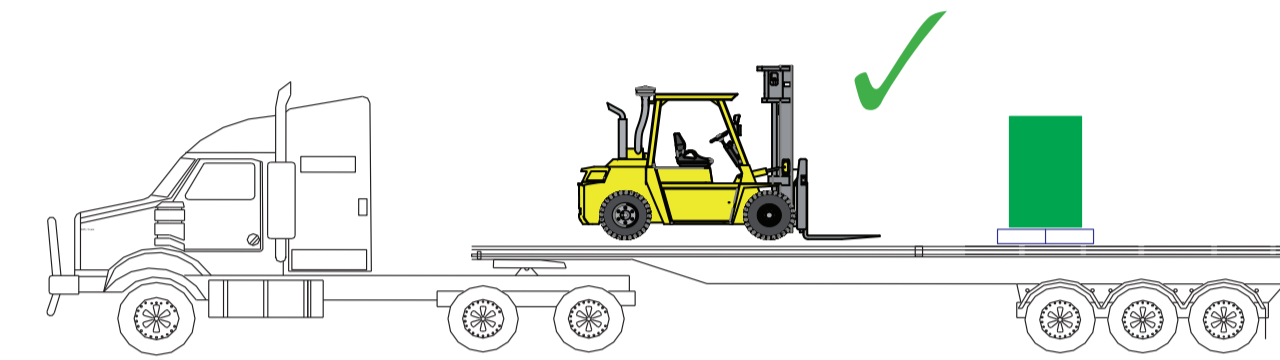
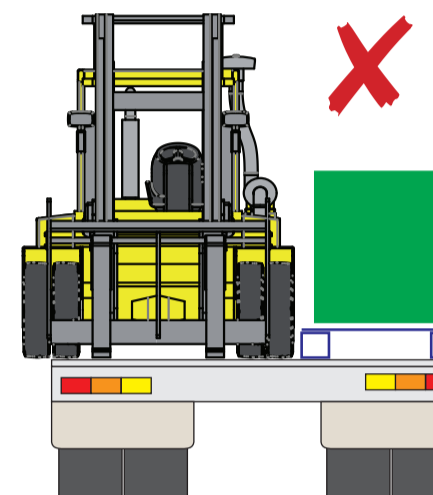
Dual Axle: **GVM = 22.5t**



Dimensional Requirements:

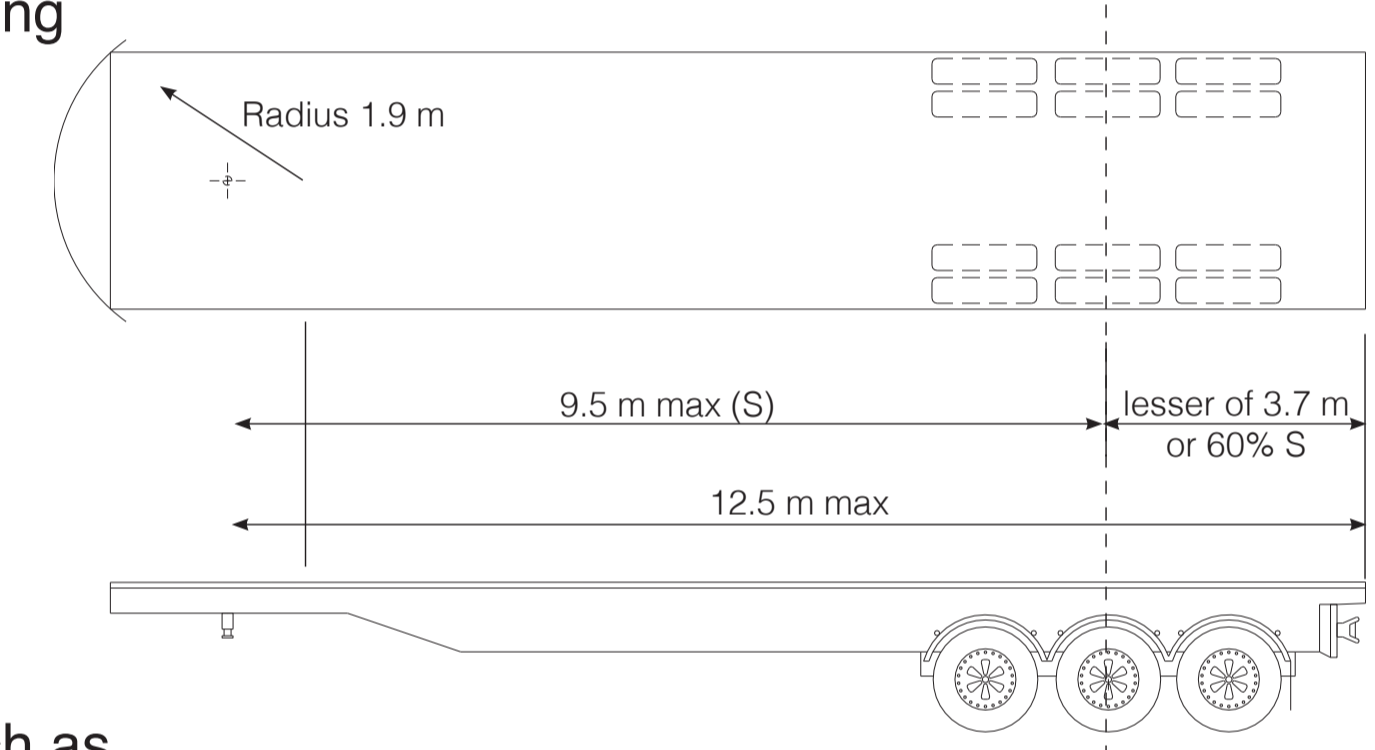
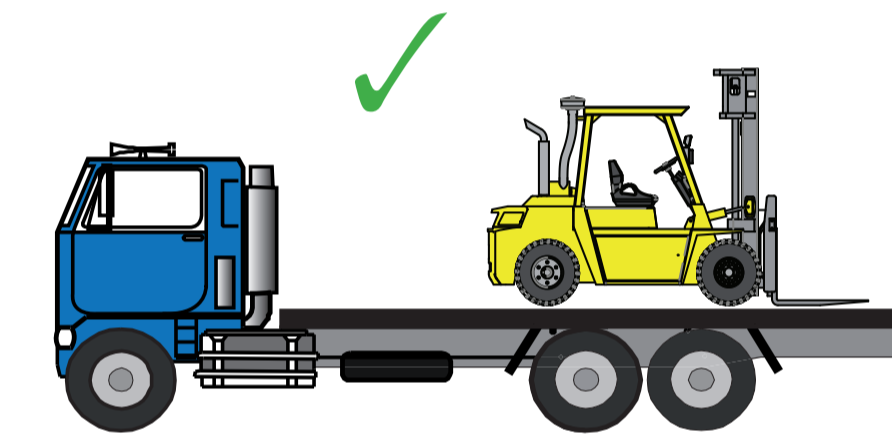
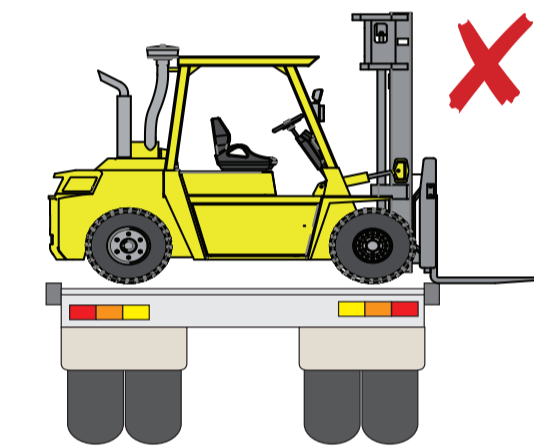
Multiple indivisible loads

Forklift and pallet loaded side by side exceed trailers width dimensions. By placing lengthwise, avoids this scenario.



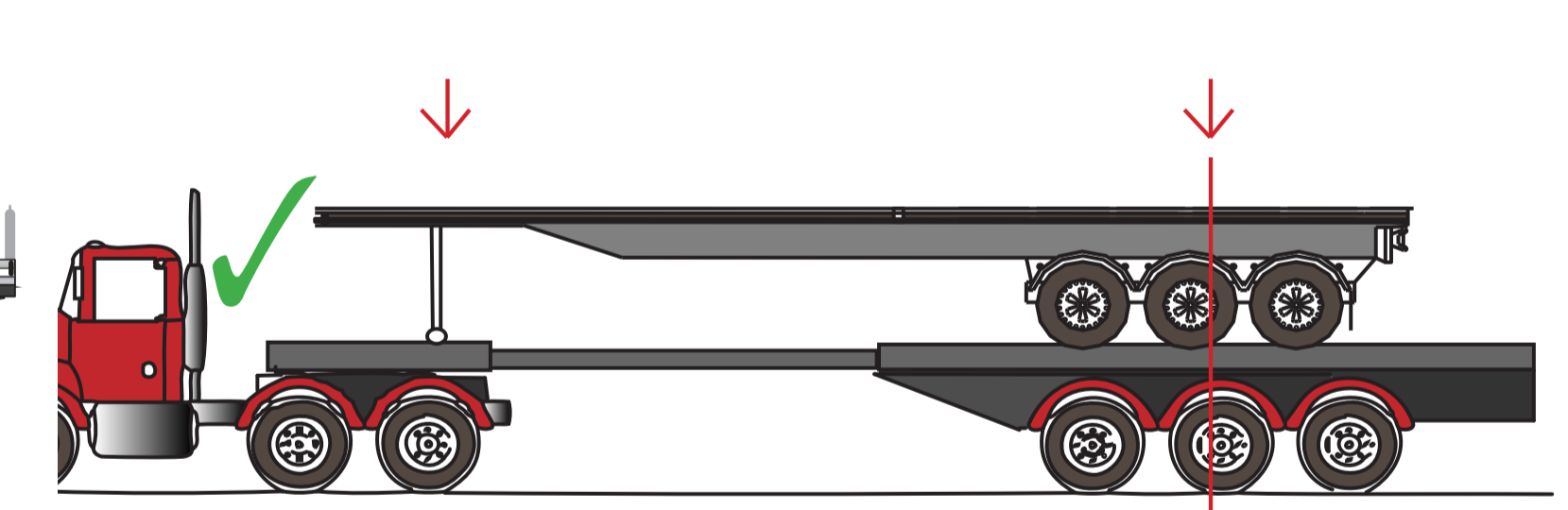
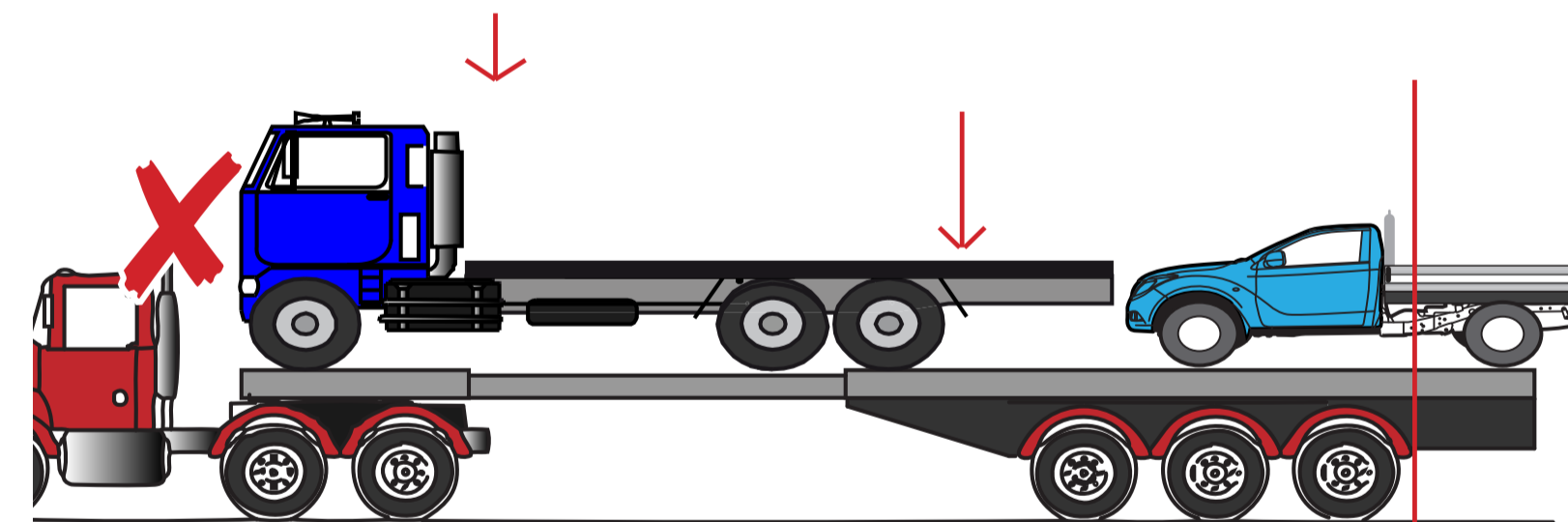
Excess Dimension Width

Large forklift placed sideways on trailer, causing tyres to "stick out", exceeding width dimensions.



Extendible trailer requirements

When using an extendible trailer, it is important to distribute the load as much as possible over the axles, not the beam of the trailer. If this is not possible, remember to de-rate the trailer following the manufacturer's instructions.



Extendable trailer with load applied on beam and not on the rear axles

Extendable trailer with load applied over the axle areas

Dimension limits per vehicle type

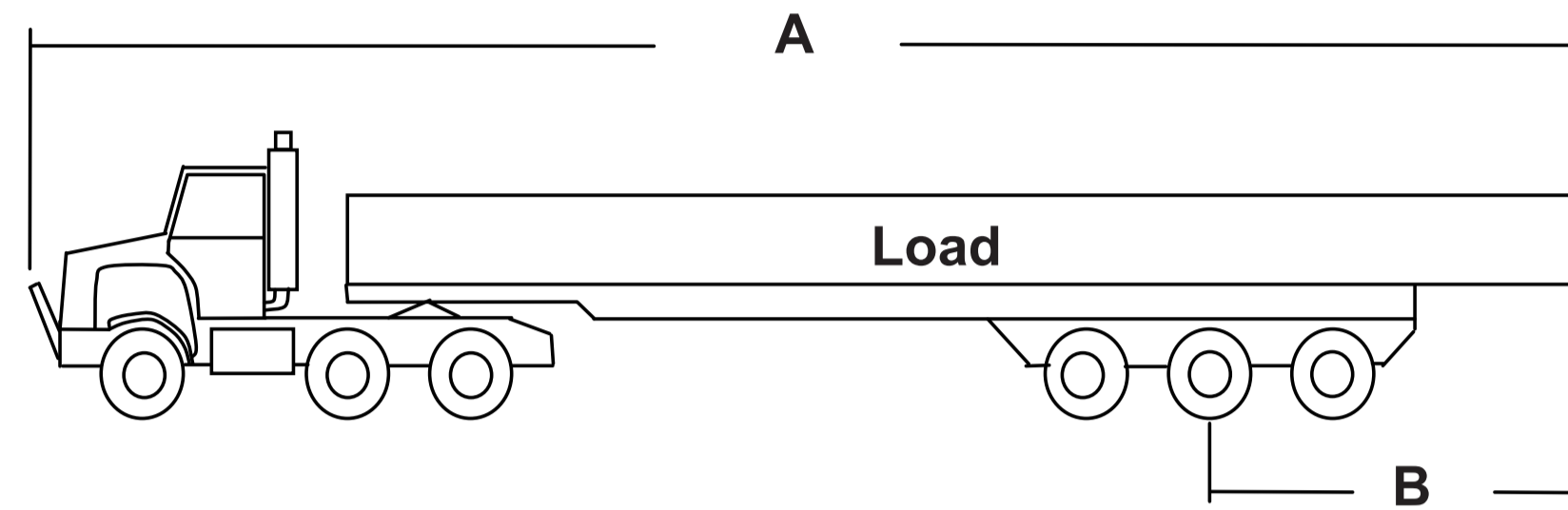
Vehicle Type	Maximum standard dimension limits (including load)			
	Width (m)	Length (m)	Height (m)	Rear overhang (m)
Rigid truck	2.5	12.5	4.3	Lesser of 3.7 or 60% of wheelbase
Rigid truck & pig trailer	2.5	19.0	4.3	Lesser of 3.7 or front loading space
Rigid truck & dog trailer	2.5	19.0	4.3	Lesser of 3.7 or 60% of wheelbase

Heavy Vehicles

Dimensional Requirements:

Rear Overhang Requirements

- ✓ When required, the rear warning sign to be on rear of vehicle, or end of load if overhanging
- ✓ For semi-trailers, maximum rear overhang (B) lesser of 5.5m or 25% of overall length vehicle (A).



Rear overhang diagram

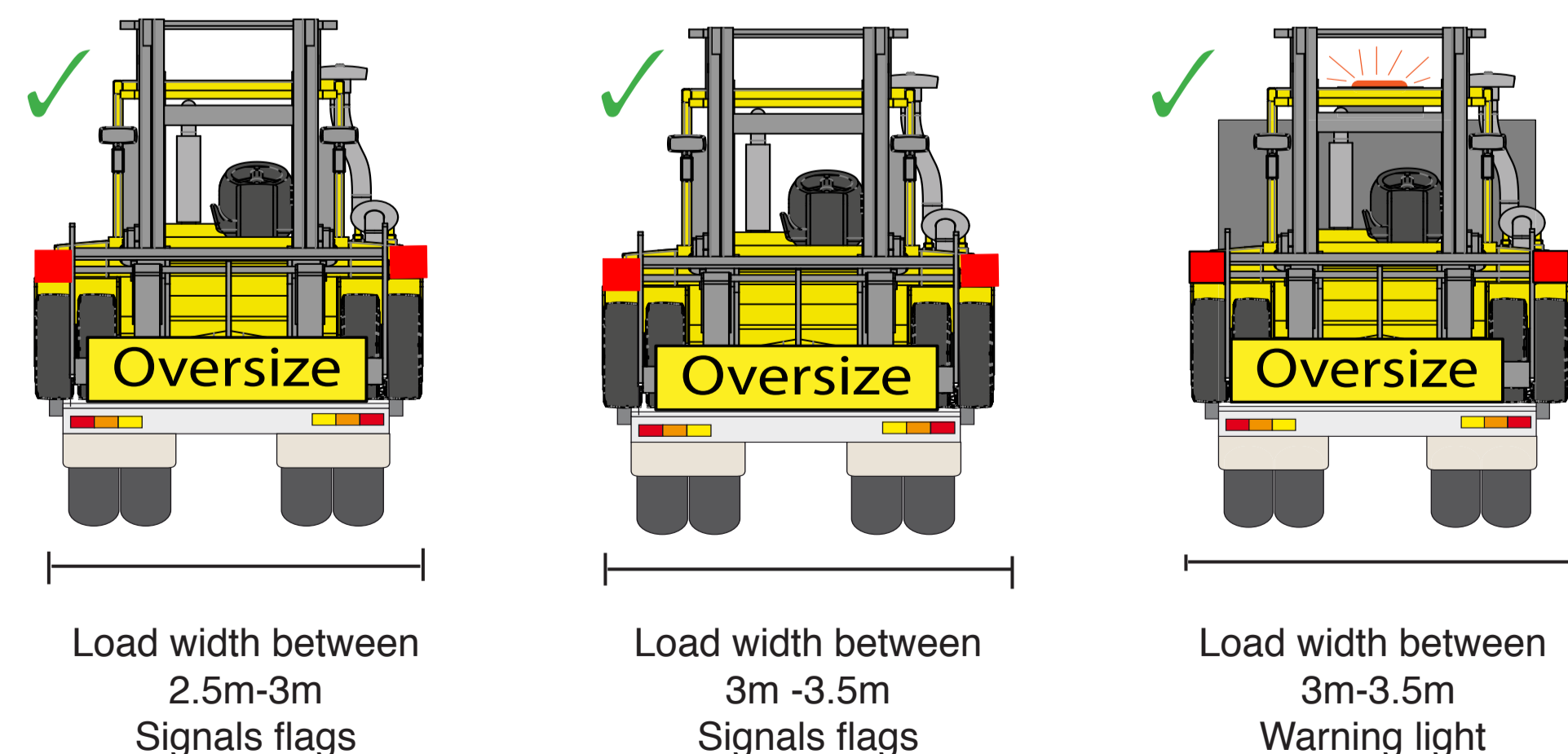
States/territories	ACT	NSW	NT	QLD	SA	TAS	VIC	WA
Max length/width before pilot	26m / 3.5m	26m / 3.5m	30m / 3.5m	25m / 3.5m	25m / 4.0m	26m / 3.5m	26m / 3.5m	25m / 3.5m
Max rear overhang*	5.5m or 25%	5.5m or 25%	5.5m or 25%	5.5m or 25%	5.5m or 25%	5.5m or 25%	5.5m or 25%	5.5m or 25%

*Lesser of this number or 25% of overall length.

Width Requirements

	2.5-3m	3-3.5m
Low beam headlights on	✓	✓
Warning light operating	✗	✓
Warning sign	✓ (front & rear)	✓ (front & rear)
Flags	✓	✓

- ✓ Oversize sign to be attached front and rear if load width exceeds 2.5m
- ✓ Oversize sign to be minimum 1200mm x 450mm.
- ✓ For widths greater than 3.5m please consult Table 5 for state specific permit requirements.



Load width between 2.5m-3m
Signals flags

Load width between 3m-3.5m
Signals flags

Load width between 3m-3.5m
Warning light

Oversize Length Requirements

All states and territories commonalities

- ✗ Displaying warning devices when not required may result in a fine.

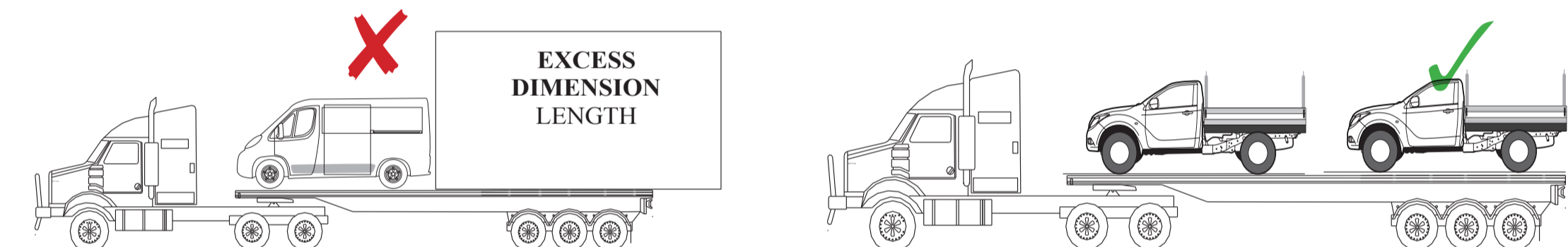
Table 2: Length requirements for warning devices in daytime travel

Note that whilst these apply to all states besides NT, WA does not operate under the National Heavy Vehicle Regulator (NHVR).

	19-22m	22-25m
Low beam headlights on	✓	✓
Warning sign	✗	✓ Rear Only

Excess Dimension Length

Indivisible item with excess dimension length creates a large rear overhang. This can be avoided by loading similar length items to reduce potential rear overhang.



Common oversize load requirements (all states and territories)

- ✓ A permit and/or gazetted notice must be carried for the relevant state/territory.
- ✓ Items must be indivisible (ie a single item that cannot be split up).
- ✓ Multiple indivisible items may be carried in one load provided that it does not create another oversize dimension.
- ✓ Where it is safe to do so, width must be minimised (ie rotate the load to minimise width).
- ✓ Low beam headlights must be on during daytime travel for any oversized length and/or width.
- ✓ Travel time restrictions (curfews) and pilot vehicle requirements may exist. These vary with areas and roads travelled, so check with local authorities.
- ✗ Not all roads are suitable for oversize loads. Check the area of travel for current restrictions.
- ✗ Oversize vehicles must not travel if visibility is less than 250 m.
- ✗ Do not display warning devices unless required to do so.

Notes:

- i Heavy Vehicles with a GVM over 15 tonnes fitted with specified technologies, including an engine complying with ADR 80/01 (Euro IV), Front Under-run Impact Protection that meets UN ECE Regulation no 93 or ADR 84, and cabin strength that meets the requirements of UN ECE Regulation no 29, are permitted up to 6.5 tonnes on the steer axle provided it does not exceed the manufacturers rating. Allowable GVM/GCM may then also be increased by up to 0.5 tonnes.
- i For Western Australian steer axle mass limits please refer to CI-127B Higher Mass Limits for Heavy Vehicles with Single Steer Axles